



## RETENTION KNOB SOCKETS



**CAUTION:** Retention knobs are manufactured to the specifications of the machine tool builder and any deviation from this could cause serious problems. Retention knobs are not normally interchangeable and failure to use the correct configuration can cause the toolholder to slip from the spindle which can result in serious damage. Retention knob fractures may occur from several factors, some of which are: improper knob configuration, mis-aligned machines, metal fatigue due to use, dropped tools, over torquing etc. Unless parts are ordered to a specific drawing or catalog number, we suggest you furnish a drawing of the part, make model number and serial number of the equipment requiring the knob.

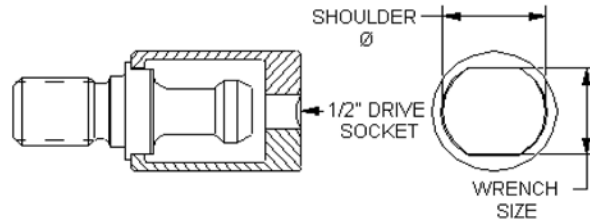
**EXPANDED**

RETENTION KNOB SOCKETS		
PART NUMBER	MAXIMUM FLAT (IN.)	MAXIMUM TORQUE FT-LB
•WRKS30	0.535	40
•WRKS30M	0.511	40
•WRKS30D	0.556	40
WRKS40	0.755	85
WRKS40M	0.711	85
WRKS45	1.004	100
WRKS45M	0.950	100
WRKS50	1.255	110
WRKS50M	1.185	110

• Note: WRKS30, WRKS30M and WRKS30D are 3/8" Drive Sockets

### Read carefully when selecting a Socket.

LIFE TIME GUARANTEE  
MADE IN THE USA  
SAVES TIME  
SOCKETS HAVE 1/2" DRIVE  
IDEAL TIGHTNESS IS ACHIEVED



Sockets aid in the installation and removal of Retention Knobs. Ideal tightness is achieved, without rounding off the corners of the Retention Knob.

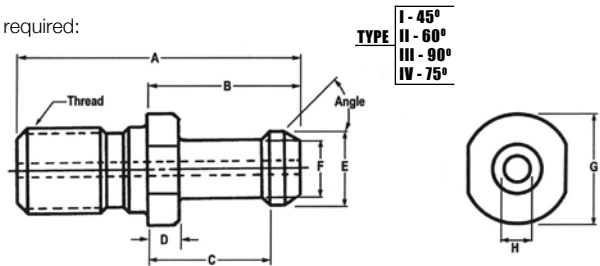
**Note: Some Retention Knobs have mixed standards. Check the shoulder and Wrench Sizes carefully when selecting a Socket to fit other Retention Knobs not listed above.**

### RETENTION KNOBS, SPECIAL ORDERS

When ordering retention knobs not shown in the above listings, the following information is required:

1. Machine tool manufacturer
2. Model number and serial number
3. Sample retention knob (if available)
4. Drawing complete with critical dimensions as shown in the sample sketch.

**Note: This sketch of a Japanese style knob can be used for reference when requesting quotations of identifying knobs, all dimension shown are critical for proper fit.**



Visit our website at [www.coolantfedtooling.com](http://www.coolantfedtooling.com) for technical information and our latest product offerings.

### LIABILITY

Any warranty implied by law, including warranties of merchantability or fitness for a particular purpose, are hereby disclaimed and excluded. No representative or person is authorized to give any other warranty or to assume for The George Whalley Company. The George Whalley Company will not be liable for any incidental or consequential damages. The products illustrated in this catalog are protected by United States and foreign patents, patents pending, and applied for. We have attempted to publish this catalog error free, however, we recommend inspection of tool dimensions prior to use. In addition, dimensions shown reflect current manufacturing standards and The George Whalley Company reserves the right to make changes, without notice, to incorporate design improvements.

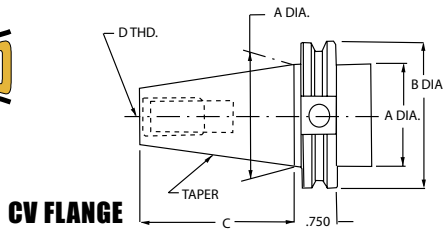
**WARNING: CUTTING TOOLS MAY SHATTER! ALWAYS WEAR EYE PROTECTION IN THE AREA OF THEIR USE.**

ACCESSORIES



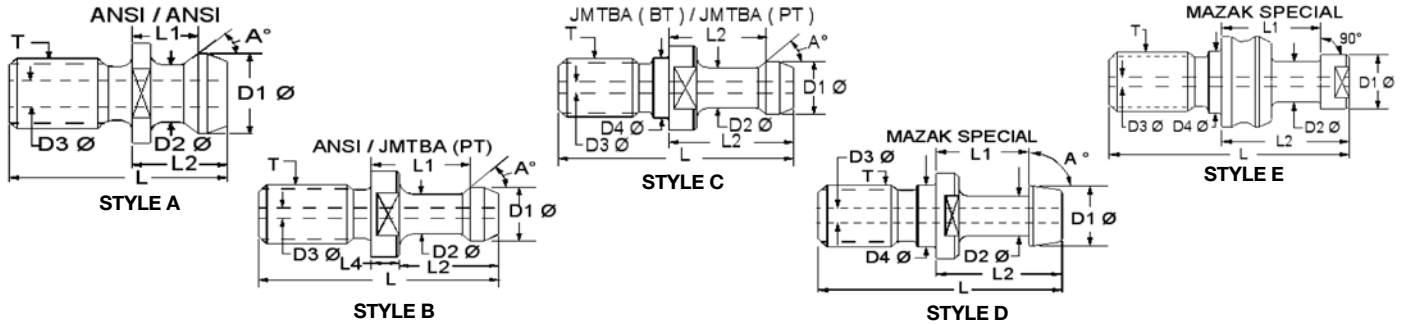
## CV FLANGE RETENTION KNOBS

**EXPANDED**



### CV FLANGE SHANK DIMENSIONS

TAPER	A	B	C	D
30	1.250	1.812	1.875	1/2-13
40	1.750	2.500	2.687	5/8-11
45	2.250	3.250	3.250	3/4-10
50	2.750	3.875	4.000	1-8
60	4.250	5.500	6.375	1 1/4-7



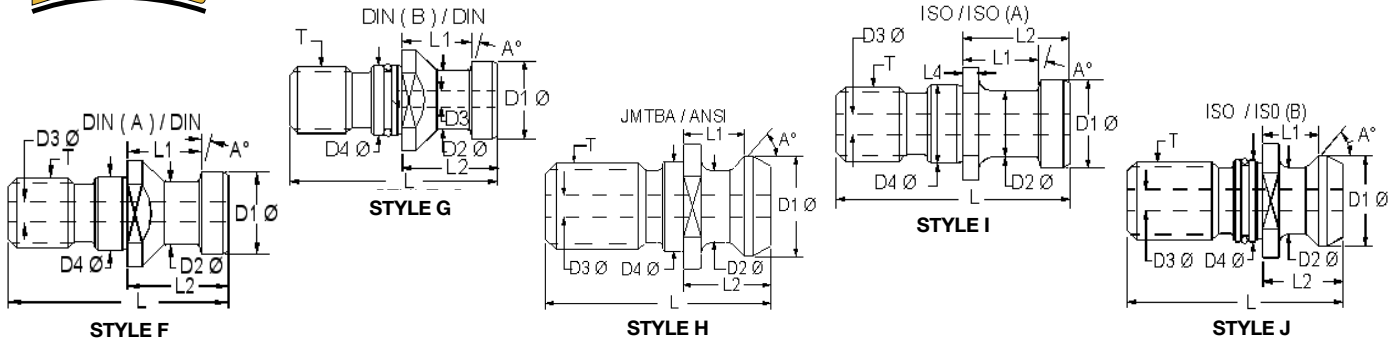
GW NO.	DESCRIPTION	STYLE	T	A	D1	D2	D3	D4	L	L1	L2	SOCKET
<b>CV-30</b>												
<b>TOOL SHANK CV-30</b>												
WRK11111	30E-A-P / A-45-.320C	H	0.500-13	45	0.5200	0.3850	0.1870	0.5120	1.2720	0.3200	0.4600	WRKS30
<b>CV-40</b>												
<b>TOOL SHANK CV-40</b>												
WRK11122	40E-A / A-45-.440(C.281)	H	0.625-11	45	0.7400	0.4900	0.2810	0.6360	1.6250	0.4400	0.6400	WRKS40
WRK11123	40E-A / A-45-.440	H	0.625-11	45	0.7400	0.4900	N/A	0.6360	1.6250	0.4400	0.6400	WRKS40
WRK11314	BOSTON DIGITAL	SPEC	0.625-11	15	0.5000	0.3100	N/A	N/A	1.5000	0.5930	0.7500	N/A
WRK12622	40E-A / PT-45-1.000	A	0.625-11	45	0.5880	0.3920	N/A	N/A	2.2650	1.0000	1.2650	WRKS40M
WRK17122	40E-A / PT-45-1.139	A	0.625-11	45	0.5940	0.4060	N/A	N/A	2.2500	1.1390	1.4380	WRKS40M
WRK17123	40E-A / PT-45-1.139(C.157)	A	0.625-11	45	0.5940	0.4060	0.1570	N/A	2.2500	1.1390	1.4380	WRKS40
WRK31114	40E-BT (A) / PT-45-.988	C	0.625-11	45	0.5890	0.3920	N/A	0.6360	2.2500	0.9880	1.2640	WRKS40
WRK31114A	40E-BT (A) / PT-60-.988	C	0.625-11	60	0.5890	0.3920	N/A	0.6360	2.2500	0.9880	1.2640	WRKS40
WRK31114B	40E-BT (A) / PT-90-.988	C	0.625-11	90	0.5890	0.3920	N/A	0.6360	2.2500	0.9880	1.2640	WRKS40
WRK31114B-P	40E-A / PT-90-.988	B	0.625-11	90	0.5890	0.3920	N/A	N/A	2.1250	0.9880	1.2640	WRKS40
WRK31222	40E-BT / SP-90-.777	D	0.625-11	90	0.5890	0.3880	N/A	0.6250	2.0370	0.7770	1.0530	WRKS40
WRK31226	40E (A) / A-45-.440(C.281)	H	0.625-11	45	0.7400	0.4900	0.2810	0.6405	1.6240	0.4400	0.6400	WRKS40
WRK31226-H	40E (A) / A-45-.440	H	0.625-11	45	0.7400	0.4900	N/A	0.6405	1.6240	0.4400	0.6400	WRKS40
WRK31514	40E-BT (A) / PT-45-.988(C.200)	C	0.625-11	45	0.5890	0.3920	0.2000	0.6360	2.2500	0.9880	1.2640	WRKS40
WRK31614	40E-A (A) / PT-45-.7066(C.079)	A	0.625-11	45	0.4310	0.2740	0.0790	N/A	1.8890	0.7066	0.9035	WRKS40
WRK31616	40E-A / I(A)-15-.792	I	0.625-11	15	0.7460	0.5490	N/A	0.6406	2.0080	0.7920	1.0280	WRKS40
WRK31617	40E-A (A)-O / I(A)-15-.792(C.236)	I	0.625-11	15	0.7460	0.5490	0.2360	0.6406	2.0080	0.7920	1.0280	WRKS40
WRK31814A	40E-BT / PT-60-.988(C.138)	C	0.625-11	60	0.5890	0.3920	0.1380	0.6360	2.2500	0.9880	1.2640	WRKS40
WRK32114	40E-A / .124 / PT-45-.988	C	0.625-11	45	0.5880	0.3920	0.6360	0.6360	2.1250	0.9880	1.2640	WRKS40
WRK32114A	40E-A / .124 / PT-60-.988	C	0.625-11	60	0.5880	0.3920	0.6360	0.6360	2.1250	0.9880	1.2640	WRKS40
WRK32114B	40E-A / .124 / PT-90-.988	C	0.625-11	90	0.5880	0.3920	0.6360	0.6360	2.1250	0.9880	1.2640	WRKS40
WRK32114-C	40E-A / .124 / PT-45-.988(C.187)	C	0.625-11	45	0.5880	0.3920	0.1870	0.6360	2.1240	0.9880	1.2640	WRKS40
WRK32130	40E-A-OP / .124 / PT-45-.988(C.187)-OID	C	0.625-11	45	0.5880	0.3920	0.1870	0.6406	2.1240	0.9880	1.2640	WRKS40
WRK32414B	40E-BT / PT-90-.707	C	0.625-11	90	0.5890	0.3920	N/A	0.6360	1.9700	0.7070	0.9840	WRKS40
* WRK32716	40E-A-OP / A-45-.440(C.160)	J	0.625-11	45	0.7400	0.4900	0.1600	0.6406	1.6240	0.4400	0.6400	WRKS40
** WRK32750	40E-A-OP / A-45-.440(C.160)	J	0.625-11	45	0.7400	0.4900	0.1600	0.6406	1.6240	0.4400	0.6400	WRKS40
WRK32751	40E-BT / PT-60-.481	H	0.625-11	60	0.5880	0.3920	N/A	0.6406	1.7320	0.4810	0.7570	WRKS40
WRK32914	40E-BT (BT) / I(A)-15-.9035(C.281)	I	0.625-11	15	0.7460	0.5490	0.2810	0.6406	2.1260	0.9035	1.1397	WRKS40
WRK35030	40E-BT(A) / PT-90-.988(C224)	C	0.625-11	90	0.5890	0.3920	0.2240	0.6406	2.2500	0.9880	1.2640	WRKS40
WRK51025	40E-I (A) / I(B)-45-.433(C281)	H	0.625-11	45	0.7400	0.5040	0.2810	0.6406	1.7579	0.4389	0.6456	WRKS40
WRK71123	40E-A / D(A)-15-.7874(C.236)	F	0.625-11	15	0.7470	0.5490	0.2360	0.6406	2.0040	0.7874	1.0240	WRKS40
WRK71125	40E-A / D(A)-15-.7874	F	0.625-11	15	0.7470	0.5490	N/A	0.6406	2.0040	0.7874	1.0240	WRKS40
WRK75022	40E-A / D(A)-15-.7874(C.236)-O	F	0.625-11	15	0.7470	0.5490	0.2360	0.6406	1.8800	0.7874	1.0240	WRKS40

\* 8mm Counterbore on inside of thread stud.  
\*\* 6mm Counterbore on inside of thread stud.



## CV FLANGE RETENTION KNOBS

### EXPANDED



GW NO.	SMART DESCRIPTION	STYLE	T	A	D1	D2	D3	D4	L	L1	L2	SOCKET
<b>CV-45</b>												
<b>TOOL SHANK CT-45</b>												
WRK11133	45E-A / A-45-.580(C.375)	H	0.750-10	45	0.9400	0.6050	0.3750	0.7610	1.9720	0.5800	0.8200	WRKS45
WRK11135	45E-A / A-45-.580	H	0.750-10	45	0.9400	0.6050	N/A	0.7610	1.9720	0.5800	0.8200	WRKS45
<sup>1</sup> WRK17136	45E-A / S-90-1.000	E	0.750-10	90	0.8120	0.5620	N/A	N/A	2.1200	1.0000	1.2000	N/A
WRK31116	45E-BT / BT-45-1.228	C	0.750-10	45	0.7460	0.5490	N/A	0.7610	2.7700	1.2280	1.5830	WRKS45
WRK31116A	45E-BT / BT-60-1.228	C	0.750-10	60	0.7460	0.5490	N/A	0.7610	2.7700	1.2280	1.5830	WRKS45
WRK31116B	45E-BT / BT-90-1.228	C	0.750-10	90	0.7460	0.5490	N/A	0.7610	2.7700	1.2280	1.5830	WRKS45
WRK71134	45E-A / D(A)-15-.906(C.375)	F	0.750-10	15	0.9040	0.6670	0.3750	0.7610	2.1700	0.9055	1.1810	WRKS45M
WRK71136	45E-A / D(A)-15-.906	F	0.750-10	15	0.9040	0.6670	N/A	0.7610	2.1700	0.9055	1.1810	WRKS45M
<b>CV-50</b>												
<b>TOOL SHANK CV-50</b>												
WRK11143	50E-A / A-45-.700(C.500)	H	1.000-8	45	1.1400	0.8200	0.5000	1.0260	2.5750	0.7000	1.0000	WRKS50
WRK11144	50E-A / A-45-.700(C.468)	H	1.000-8	45	1.1400	0.8200	0.4680	1.0260	2.5750	0.7000	1.0000	WRKS50
WRK11146	50E-A / A-45-.700	H	1.000-8	45	1.1400	0.8200	N/A	1.0260	2.5750	0.7000	1.0000	WRKS50
WRK13744	50E-A / SP-40-1.025	LUCAS	1.000-8	40	0.8480	0.4980	N/A	N/A	2.9600	1.0250	1.5500	N/A
WRK17144	50E-A / A-45-.700(C.468)	A	1.000-8	45	1.1400	0.8200	0.4680	N/A	2.3000	0.7000	1.0000	WRKS50M
WRK31118	50E-BT / PT-45-1.384	C	1.000-8	45	0.9030	0.6680	N/A	1.0260	3.3500	1.3840	1.7780	WRKS50
WRK31118A	50E-BT / PT-60-1.384	C	1.000-8	60	0.9030	0.6680	N/A	1.0260	3.3500	1.3840	1.7780	WRKS50
WRK31118B	50E-BT / PT-90-1.384	C	1.000-8	90	0.9030	0.6680	N/A	1.0260	3.3500	1.3840	1.7780	WRKS50
WRK31118B-P	50E-A / PT-90-1.384	B	1.000-8	90	0.9030	0.6680	N/A	N/A	3.0800	1.3840	1.7780	WRKS50
WRK31118D	50E-A / PT-45-1.384(C.312)	C	1.000-8	45	0.9030	0.6680	0.3120	1.0260	3.0800	1.3840	1.7780	WRKS50
WRK31138A	50E-BT / PT-60-1.376	C	1.000-8	60	0.9030	0.6680	N/A	1.0260	3.3530	1.3760	1.7700	WRKS50
WRK31244A	50E-BT / M2-90-1.384	E	1.000-8	90	0.9080	0.6680	N/A	1.0260	3.3500	1.3840	1.7790	WRKSS40
WRK31246	50E-BT / A-45-.700(C.390)-OF	H	1.000-8	45	1.1400	0.8200	0.3900	1.0260	2.3000	0.7000	1.0000	WRKS50M
WRK31251A	50E-A / A-45-.700(C.390)-OID	H	1.000-8	45	1.1400	0.8200	0.3900	1.0303	2.3030	0.7000	1.0000	WRKS50M
WRK31645	50E-BT / PT-45-1.384(C.390)	C	1.000-8	45	0.9030	0.6680	0.3900	1.0260	3.3550	1.3840	1.7780	WRKS50
WRK31647	50E-BT-OP / PT-45-1.384(C.236)	C	1.000-8	45	0.9030	0.6680	0.2360	1.0260	3.3550	1.3840	1.7780	WRKS50
WRK31647H	50E-BT-OP / PT-45-1.384(C.236)-OID	C	1.000-8	45	0.9030	0.6680	0.2360	1.0260	3.3550	1.3840	1.7780	WRKS50
WRK31844A	50E-BT / PT-60-1.384(C.335)	C	1.000-8	60	0.9030	0.6680	0.3350	1.0260	3.3550	1.3840	1.7780	WRKS50
WRK32129	50E-BT-OP / PT-90-1.384(C.118)-O	C	1.000-8	90	0.9030	0.6680	0.2360	1.0260	3.3530	1.3840	1.7780	WRKS50
WRK32418B	50E-A / PT-90-903	B	1.000-8	90	0.9420	0.7060	N/A	N/A	2.5190	0.9030	1.2180	WRKS50M
WRK32419B	50E-A / PT-90-.903(C.250)	B	1.000-8	90	0.9420	0.7060	0.2500	N/A	2.5190	0.9030	1.2180	WRKS50M
WRK32420B	50E-A / PT-90-.903(C.315)	B	1.000-8	90	0.9420	0.7060	0.3150	N/A	2.5190	0.9030	1.2180	WRKS50M
WRK32749	50E-A-OP / PT-60-1.384(C.236)	C	1.000-8	60	0.9030	0.6680	0.2360	1.0232	3.3530	1.3840	1.7780	WRKS50
WRK34218B	50E-BT / PT-90-1.384(C.250)	C	1.000-8	90	0.9030	0.6680	0.2500	1.0260	3.3500	1.3840	1.7780	WRKS50
WRK51041(86)	50E-A / (A)-15-.9901	I	1.000-8	15	1.1000	0.8250	N/A	1.0301	2.9110	0.9822	1.3365	WRKS50
WRK51047	50E-A / (B)-45-.7069(C.468)	I	1.000-8	45	1.1400	0.7660	0.4680	N/A	2.5839	0.7069	1.0049	WRKS50
WRK51644	50E-A / SP-.141R-1.260	SPECIAL	1.000-8	.141R	0.7850	0.6310	N/A	N/A	2.8610	1.2659	1.5609	N/A
WRK51648	50E-A / SP-.141R-2.260	SPECIAL	1.000-8	.141R	0.7850	0.6310	N/A	N/A	3.8610	2.2659	2.5609	N/A
WRK71145	50E-A / D(A)-15-.984(C.468)	F	1.000-8	15	1.1010	0.8250	0.4680	1.0301	2.9140	0.9840	1.3380	WRKS50M
WRK71147	50E-A / D(A)-15-.984	F	1.000-8	15	1.1010	0.8250	N/A	1.0301	2.9140	0.9840	1.3380	WRKS50M
<b>CV-60</b>												
<b>TOOL SHANK CV-60</b>												
WRK11155	60E-A / A-45-1.080(C.500)	A	1.250-7	45	1.4600	1.0450	0.5000	N/A	3.2000	1.0800	1.5000	N/A

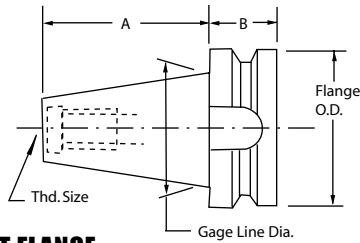
• <sup>1</sup> Manufactured without Pilot.

ACCESSORIES



## BT FLANGE RETENTION KNOBS

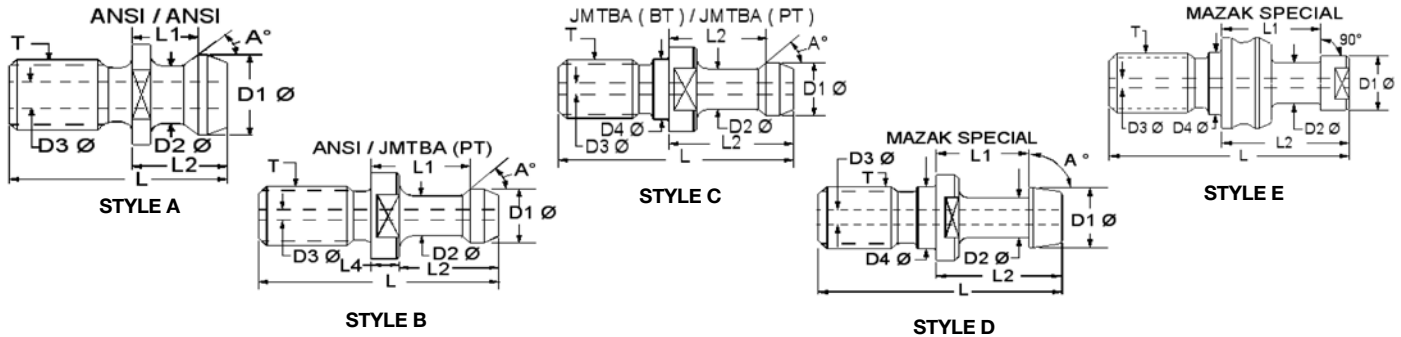
**EXPANDED**



**BT FLANGE**

## BT FLANGE SHANK DIMENSIONS

TAPER	GAGE LINE	A LG.	B LG.	FLANGE O.D.	THD. SIZE
30	1.250	1.985	0.787	1.811	M12 X 1.75
35	1.500	2.299	0.866	2.087	M12 X 1.75
40	1.750	2.654	0.984	2.480	M16 x 2.00
45	2.250	3.378	1.181	3.346	M20 x 2.50
50	2.750	4.126	1.378	3.937	M24 x 3.00

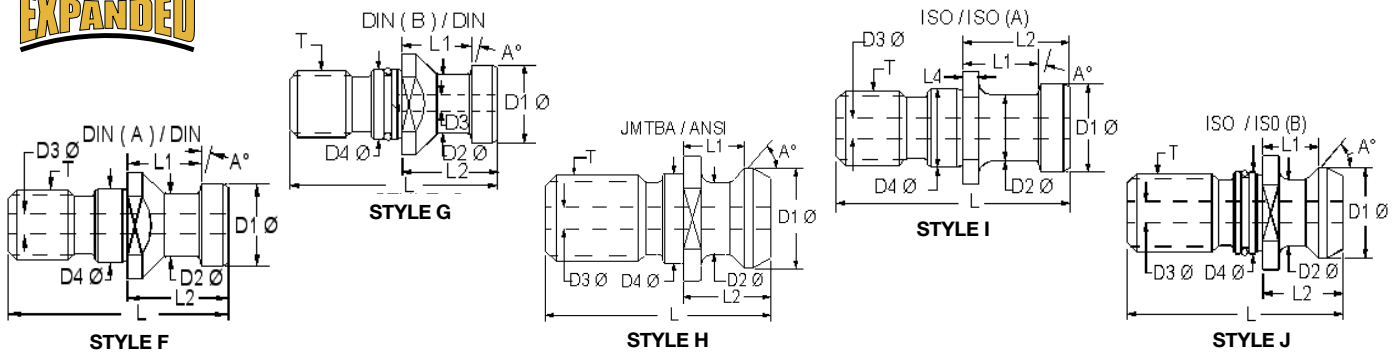


GW NO.	DESCRIPTION	STYLE	T	A	D1	D2	D3	D4	L	L1	L2	SOCKET
<b>BT-30</b>												
<b>TOOL SHANK BT-30</b>												
WRK31109	30M-BT / PT-45-.707	C	M12X1.75	45	0.4310	0.2740	N/A	0.4918	1.6900	0.7070	0.9040	WRKS30M
WRK31109A	30M-BT / PT-60-.707	C	M12X1.75	60	0.4310	0.2740	N/A	0.4918	1.6900	0.7070	0.9040	WRKS30M
WRK31109B	30M-BT / PT-90-.707	C	M12X1.75	90	0.4310	0.2740	N/A	0.4918	1.6900	0.7070	0.9040	WRKS30M
WRK31109C	30M-BT / PT-45-.707(C.110)	C	M12X1.75	45	0.4310	0.2740	0.1100	0.4918	1.6900	0.7070	0.9040	WRKS30M
WRK32621	30M-JIS / P-15-.7224(C.156)	C	M12X1.75	15	0.4720	0.3130	0.1560	0.4918	1.6930	0.7224	0.9194	WRKS30M
<b>BT-35</b>												
<b>TOOL SHANK BT-35</b>												
WRK31111	35M-BT / PT-45-.884	C	M12X1.75	45	0.5100	0.3320	N/A	0.5114	1.8870	0.8840	1.1000	N/A
WRK31111A	35M-BT / PT-60-.884	C	M12X1.75	60	0.5100	0.3330	N/A	0.5114	1.8870	0.8840	1.1000	N/A
WRK32328	35M-BT / PT-45-.634	C	M12X1.75	45	0.4080	0.3130	N/A	0.5111	1.4170	0.6340	0.7870	WRKS30D
WRK32611	35M-BT / PT-45-.884	C	M12X1.75	45	0.5380	0.3480	N/A	0.5105	2.0900	0.8840	1.1000	N/A
WRK32613	35M-BT / PT-90-.7067	C	M12X1.75	90	0.5490	0.3130	N/A	0.4918	1.7700	0.7067	0.9040	N/A
WRK32614	35M-BT / PT-60-.884	C	M12X1.75	60	0.5380	0.3480	N/A	0.4918	2.0870	0.8840	1.1000	N/A
<b>BT-40</b>												
<b>TOOL SHANK BT-40</b>												
WRK11126	40M-BT / A-45-.552	H	M16X2.00	45	0.7400	0.4900	N/A	0.6689	1.6120	0.5520	0.7520	WRKS40
WRK11126A	40M-BT / A-45-.552(C.281)	H	M16X2.00	45	0.7400	0.4900	0.281	0.6689	1.7360	0.5520	0.7520	WRKS40
WRK17126	40M-BT / PT-45-1.251	C	M16X2.00	45	0.5920	0.4040	N/A	0.6689	2.5340	1.2510	1.5500	WRKS40M
WRK17127	40M-BT / PT-45-1.251(C.141)	C	M16X2.00	45	0.5920	0.4040	0.141	0.6689	2.5340	1.2510	1.5500	WRKS40M
WRK31113	40M-BT / PT-45-1.100	C	M16X2.00	45	0.5890	0.3920	N/A	0.6690	2.3600	1.1000	1.3760	WRKS40
WRK31113A	40M-BT / PT-60-1.100	C	M16X2.00	60	0.5890	0.3920	N/A	0.6690	2.3600	1.1000	1.3760	WRKSS40
WRK31113B	40M-BT / PT-90-1.100	C	M16X2.00	90	0.5890	0.3920	N/A	0.6690	2.3600	1.1000	1.3760	WRKS40
WRK31113D	40M-BT / PT-45-1.100(C.197)	C	M16X2.00	45	0.5890	0.3920	0.197	0.6690	2.3600	1.1000	1.3760	WRKS40
WRK31113E	40M-BT / PT-60-1.100(C.197)	C	M16X2.00	60	0.5890	0.3920	0.197	0.6690	2.3600	1.1000	1.3760	WRKS40
WRK31113F	40M-BT / PT-90-1.100(C.197)	C	M16X2.00	90	0.5890	0.3920	0.197	0.6690	2.3600	1.1000	1.3760	WRKS40
WRK32912	40M-BT / I(A)-15-.9035	I	M16X2.00	15	0.7460	0.5490	N/A	0.6690	2.1260	0.9035	1.1397	WRKS40
WRK32913	40M-BT / I(A)-15-.9035(C.281)	I	M16X2.00	15	0.7460	0.5490	0.281	0.6690	2.1260	0.9035	1.1397	WRKS40
<b>BT-45</b>												
<b>TOOL SHANK BT-45</b>												
WRK31115	45M-BT / PT-45-1.218	C	M20X2.50	45	0.7460	0.5490	N/A	0.8264	2.7560	1.2180	1.5730	WRKS45M
WRK31115A	45M-BT / PT-60-1.218	C	M20X2.50	60	0.7460	0.5490	N/A	0.8264	2.7560	1.2180	1.5730	WRKS45M
WRK31115B	45M-BT / PT-90-1.218	C	M20X2.50	90	0.7460	0.5490	N/A	0.8264	2.7560	1.2180	1.5730	WRKS45M

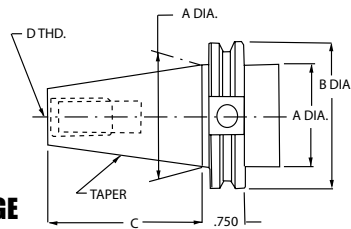


## BT FLANGE RETENTION KNOBS

**EXPANDED**



GW NO.	SMART DESCRIPTION	STYLE	T	A	D1	D2	D3	D4	L	L1	L2	SOCKET
<b>TOOL SHANK BT-50</b>												
WRK11144A	50M-A / A-45-.700(C.468)	H	M24X3.00	45	1.1400	0.8200	0.4680	0.9839	2.5800	0.7000	1.0000	WRKS50
WRK11148	50M-A-P / A-45-.700	H	M24X3.00	45	1.1400	0.8200	N/A	0.9839	2.5800	0.7000	1.0000	WRKS50
WRK11148A	50M-A-P / A-45-.700(C.468)	H	M24X3.00	45	1.1400	0.8200	0.4680	0.9839	2.5800	0.7000	1.0000	WRKS50
WRK31117	50M-BT / PT-45-1.376	C	M24X3.00	45	0.9030	0.6680	N/A	0.9839	3.3500	1.3760	1.7700	WRKS50M
WRK31117A	50M-BT / PT-60-1.376	C	M24X3.00	60	0.9030	0.6680	N/A	0.9839	3.3500	1.3760	1.7700	WRKS50M
WRK31117B	50M-BT / PT-90-1.376	C	M24X3.00	90	0.9030	0.6680	N/A	0.9839	3.3500	1.3760	1.7700	WRKS50M
WRK31246A	50M-A / A-45-.700(C.390)-OF	H	M24X3.00	45	1.1400	0.8200	0.3900	0.9839	2.5800	0.7000	1.0000	WRKS50M
WRK31643	50M-BT / PT-45-1.376(C.236)	C	M24X3.00	45	0.9030	0.6680	0.2360	0.9839	3.3500	1.3760	1.7700	WRKS50M
WRK31652	50M-I-O / PT-45-1.384(C.236)	C	M24X3.00	45	0.9030	0.6680	0.2360	0.9839	3.3580	1.3840	1.7780	WRKS50M
WRK31843	50M-BT / PT-60-1.376(C.312)	C	M24X3.00	60	0.9030	0.6680	0.3120	0.9839	3.3500	1.3760	1.7700	WRKS50M
WRK34217B	50M-BT / PT-90-1.376(C.250)	C	M24X3.00	90	0.9030	0.6680	0.2500	0.9839	3.3500	1.3760	1.7700	WRKS50M



**DIN / ISO FLANGE**

### DIN / ISO FLANGE SHANK DIMENSIONS

TAPER	A	B	C	D
30	1.250	1.967	1.876	M12 X 1.75
40	1.750	2.500	2.687	M16 X 2.00
45	2.250	3.248	3.250	M20 X 2.50
50	2.750	3.837	4.000	M24 X 3.00

GW NO.	DESCRIPTION	STYLE	T	A	D1	D2	D3	D4	L	L1	L2	SOCKET
<b>TOOL SHANK 40</b>												
WRK11122A	40M-BT (I) / A-45-.440(C.281)	H	M16X2.00	45	0.7400	0.4900	0.2810	0.6689	1.6240	0.4400	0.6400	WRKS40
WRK11125	40M-A (I) / A-45-.440	H	M16X2.00	45	0.7400	0.4900	N/A	0.6689	1.6240	0.4400	0.6400	WRKS40
WRK35000V	40M-BT(I) / PT-45-.988	C	M16X2.00	45	0.5890	0.3920	N/A	0.6689	2.3660	0.9880	1.2640	WRKS40
WRK35026	40M-BT(I) / PT-60-.988	C	M16X2.00	60	0.5890	0.3920	N/A	0.6689	2.3660	0.9880	1.2640	WRKS40
WRK35038	40M-BT(I) / PT-90-.988	C	M16X2.00	90	0.5890	0.3920	N/A	0.6689	2.3660	0.9880	1.2640	WRKS40
WRK51022	40M-I (I) / I(A)-15-.787(C.236)	I	M16X2.00	15	0.7460	0.5490	0.2360	0.6690	2.1250	0.7874	1.0245	WRKS40
WRK51024	40M-I / I(B)-45-.433	H	M16X2.00	15	0.7460	0.5490	N/A	0.6690	2.1250	0.7874	1.0245	WRKS40
WRK51026	40M-I (I) / I(A)-15-.787	I	M16X2.00	15	0.7460	0.5490	N/A	0.6690	2.1250	0.7874	1.0245	WRKS40
WRK71122	40M-D / D(A)-15-.787(C.236)	F	M16X2.00	15	0.7468	0.5492	0.2360	0.6682	2.1360	0.7870	1.0236	WRKS40
WRK71124	40M-D / D(A)-15-.787	F	M16X2.00	15	0.7468	0.5492	N/A	0.6680	2.1360	0.7870	1.0236	WRKS40
<b>TOOL SHANK 45</b>												
WRK51033	45M-I / I(A)-15-.906(C.375)	I	M20X2.50	15	0.9036	0.6673	0.3750	0.8265	2.5590	0.9055	1.1811	WRKS45
WRK51037	45M-I / I(A)-15-.906	I	M20X2.50	15	0.9036	0.6673	N/A	0.8265	2.5590	0.9055	1.1811	WRKS45
<b>TOOL SHANK 50</b>												
WRK35048B	50M-I / PT-90-1.384	C	M24X3.00	90	0.9030	0.6680	N/A	0.9830	3.3530	1.3840	1.7780	WRK50S
WRK71144	50M-D / D(A)-15-.984(C.468)	F	M24X3.00	15	1.1010	0.8250	0.4680	0.9830	2.9200	0.9840	1.3380	WRKS50M
WRK71146	50M-D / D(A)-15-.984	F	M24X3.00	15	1.1010	0.8250	N/A	0.9830	2.9200	0.9840	1.3380	WRKS50M

ACCESSORIES